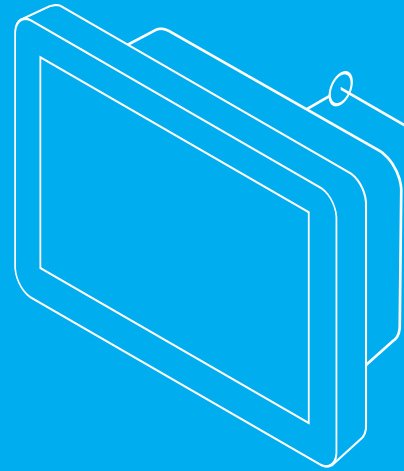


# LoRa Display user guide

The LoRa Display is a smart connected device that can be used to show customers a range of data.



## Introducing the cThings<sup>®</sup> LoRa Display

### WHAT'S IN THE BOX?

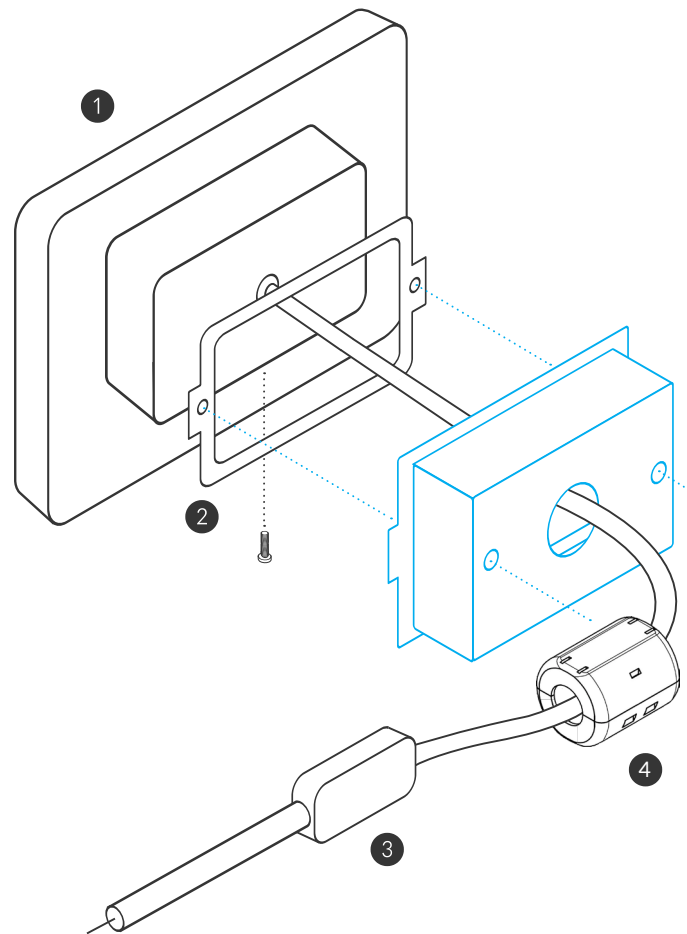
- 1x LoRa Display with fixed 1.3 metre power cable
- 1x Mounting bracket
- 1x Power supply with fixed cable
- 1x Ferrite

### WHAT YOU WILL NEED

- T6 Torx headed screwdriver
- 2-Gang 47mm Back Box
- Fused Spur with 2A fast blow fuse (switched recommended)
- 2-Gang 47mm Back Box (for spur)

Warning! Use the power supply provided. Do not attempt to power the display with 230V mains power.

Important! Installation of this product must be carried out by a qualified electrician.



# Installation and setup

## How to install

- 1 Before starting work, ensure power supply has been isolated.
- 2 Prepare the area to fit a 2-Gang back box for the LoRa Display in the desired location. Leave a clearance beneath the display of at least 300mm to allow for service access.
- 3 Fit the fused spur with 47mm depth within one metre of the mounting location of the LoRa Display back box. The spur must be fitted with a 2A fast blow fuse.
- 4 Release the display mounting bracket by loosening the security screw at the bottom using a Torx T6 Screwdriver.
- 5 Attach the mounting bracket to the back box.
- 6 Fit the LoRa Display into the back box, feed the power cable out the back, and push the display in and down by 4mm to ensure the securing lugs lock into place.
- 7 Install the supplied ferrite around the power cable and ensure it is fitted flush to the back box. Carefully push the back box into its desired location.
- 8 Ensure the display is flush with the wall, then re-tighten the securing screw at the bottom of the display.
- 9 Connect the display power cable to DC-OUT side of the power supply using the connectors supplied.
- 10 Connect fused spur to AC-IN side of the power supply.

**Important!** Black and red cables must be connected to corresponding colours.

**Warning!** Incoming and outgoing cables from the power supply must not be crossed and must be insulated from each other.

- 11 Ensure all power connections have been checked and tested before turning on the mains power supply.
- 12 Once mains power is restored, the display should turn on automatically and show the cThings logo within 60 seconds. The logo may momentarily disappear and reappear during this time.

## How to setup

- 13 The Home screen should load after about a minute. Once loaded, swipe up to show the Main Menu.
- 14 Press, *Maintenance*.  
**Important!** Make a note of the Serial Number, this will be required for support and service.
- 15 Status should show **Connected**. If it shows **Disconnected**, press *Communication* followed by *Test Connection*. If you cannot establish a connection contact technical support at [cthings.io/support](https://cthings.io/support).
- 16 Go back to the Home screen and check the time and date are correct. If an incorrect date and time is shown go back to the *Maintenance* screen, press *Communication* followed by *Test Connection*. Wait for a **Connected** status then refresh the details on the Home screen once again.
- 17 If the correct time and date are shown, the LoRa Display is ready to use.



This product conforms with health, safety, and environmental protection standards for products sold within the European Economic Area (EEA)



This product should be disposed only in places specialized for electronic waste.



Danger risk of electronic shock do not open unless you are a qualified and trained installer.



The Bradfield Centre  
Cambridge Science Park  
Milton, Cambridge  
CB4 0GA

**cthings.io**